

LED Driver

Product Specifications

LP1025-xx Series	
Switch-Mode LED Driver	
Total Power	25 Watts
Input Voltages	90~264 VAC or 100~277VAC
Number of Outputs	One

ANZ#: Z106e, November 28, 2006

SPECIAL FEATURES ELECTRICAL SPECIFICATIONS

- UL1310 / UL48 Class 2 compliant
- Single output, constant current or constant voltage design
- IP66 compliant
- Designed for outdoor or indoor applications
- Compact, lightweight in plastic case
- PFC to reduce power consumption

Input range	90 ~ 264 VAC, Full range or 100~277VAC ←
Frequency	47 to 63 Hz ←
Power Factor	> 0.92 at full load, 115VAC
Inrush current	20.0 Amps maximum at 230VAC, cold start, 25° C
Input current	0.4 Amps maximum at 115VAC
Efficiency	85% typical at maximum load
EMI filtering	47CFR, Part 2, Part 15 and CispR PUB, 22 Class B
Maximum power	25W
Current Accuracy	±1% (when applicable)
Load regulation	±3%
Ripple/Noise	N/A
Leakage Current	300uA typ.
Hold up time	Half cycle minimum at 120 VAC and 80% of rated load
Protection	Over-voltage, Over current and Short circuit protection: Auto-recovery

ENVIRONMENTAL

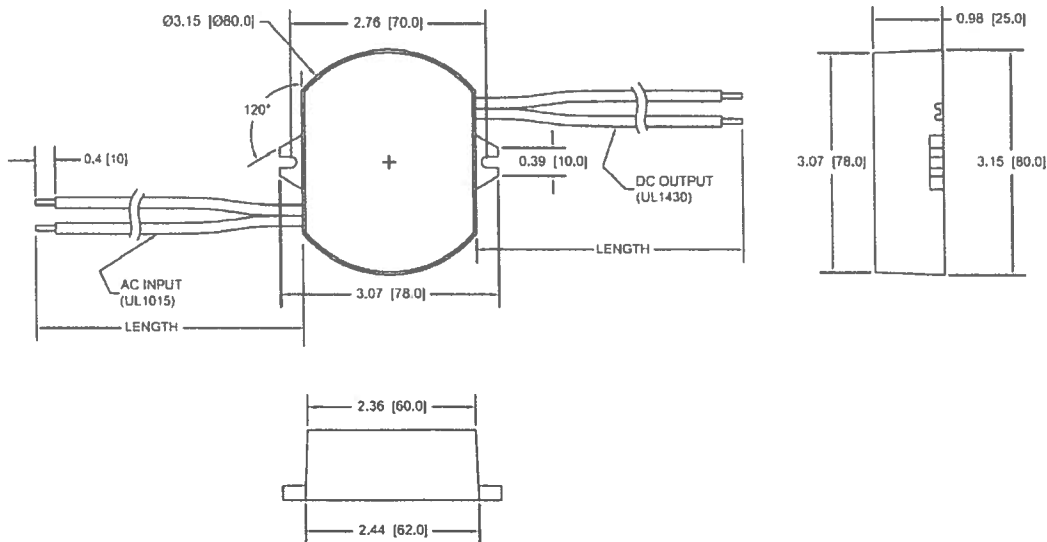
Operating temperature:	-30 to 60 °C (De-rating : 1% per ° C from 60~70°C)
Storage temperature:	-40 to +85° C
Humidity (Non-Condensing):	5% to 95%
Cooling:	Convection
Vibration Frequency:	5 to 50 Hz
MTBF:	>100,000 Hours at full load and 25°C ambient conditions (MIL-217F)
EMC :	Compliant to 47CFR, Part 2, Part15 and CispR PUB, 22 Class B

SAFETY

UL / cUL	UL1310 / UL48 Class 2 certified
CE	Certified

Model Number	Constant Voltage Mode			Model Number	Constant Current Mode		
	V (DC)	A (mA)	Watts		V (DC)	A (mA)	Watts
LP1025-36	36, ±5%	700	25	LP1025-36C0700	18 ~ 36	700, ±5%	25
LP1025-24	24, ±5%	1040	25	LP1025-24C1040	12 ~ 24	1040, ±5%	25
LP1025-12	12, ±5%	2080	25	LP1025-12C2080	8 ~ 12	2080, ±5%	25

MECHANICAL DRAWING



FEATURES:

- Universal Input range from 100V-240V.
- Suitable for 12V & 24V LEDs lighting application.
- Power Factor: Pf> 0.5
- Fly leads 20AWG 15cm for rapid connection
- Waterproof packaging: IP65 for dry and wet location
- Tc Point measured, Max case temperature: 70°C
- Protections: Short-Circuit / Over Load / Over Heat

Safety Approval:



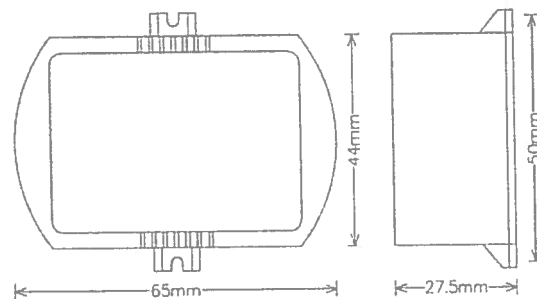
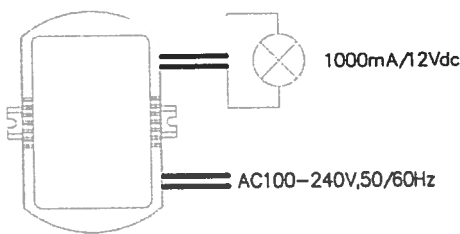
SPECIFICATION:

Model No.		LD-VU10012-05	LD-VU5024-05
Input	Voltage Range (VAC)	100V-240Vac ± 6%	100V-240Vac ± 6%
	Frequency Range (Hz)	50 Hz / 60 Hz	50 Hz / 60 Hz
	AC Current	0.3A@115VAC / 0.15A@230VAC	0.3A@115VAC / 0.15A@230VAC
	Leakage Current	<0.25mA / 240 Vac	<0.25mA / 240 Vac
Output	Voltage Range (VDC)	12 Vdc ± 1V	24Vdc ± 1V
	Rated Current Range (mA)	1000mA Max	500mA Max
	Rated Power (W)	12W Max	12W Max
	Efficiency (Typ.)	75%	75%
Protections	Over Load	100~135% rated output power Flicker: Recovers automatically after fault condition has been removed.	
Environment	Ambient Temp. (Ta)	-20°C~+50°C full load .	
	Operating Humidity	20% ~ 95% RH non-condensing.	
	Storage Temp. / Humidity	-20 ~ +80°C / 10% ~ 95% RH	
Safety Approval	Safety Standards	UL, cUL pending	
Other	Cord code/ Cord Color	Primary: 1007/#20 15cm L:blue N:brown Secondary: 1007/#20 15cm +:red -:black	

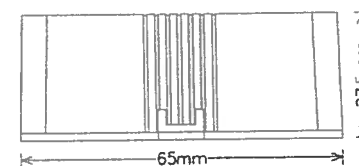
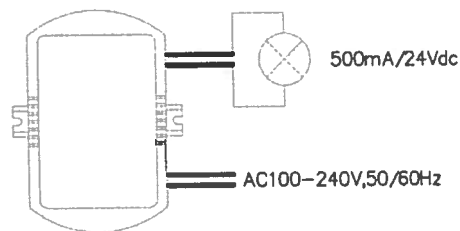
Wiring Diagram:

Mechanical Dimension: 65Lx44Wx27.5H mm

LD-VU10012-05



LD-VU5024-05



Note 1: Lamps must be wired in parallel, and total value of amp should be under rated Max Amp.

Note 2: Parameter measured at full load 25°C ambient temperature.

Note 3: Two year warranty