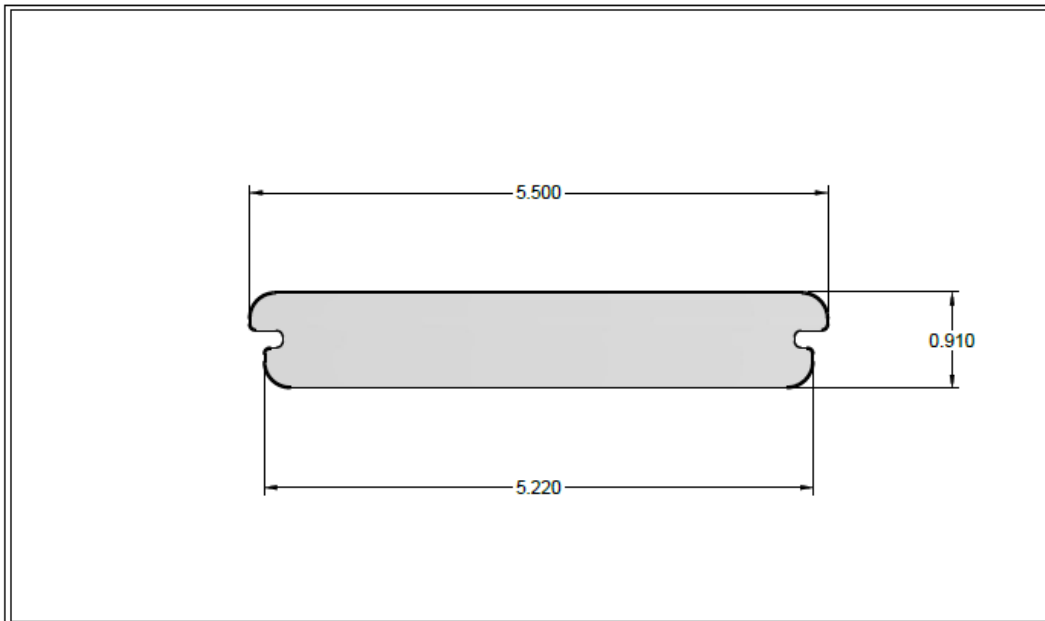
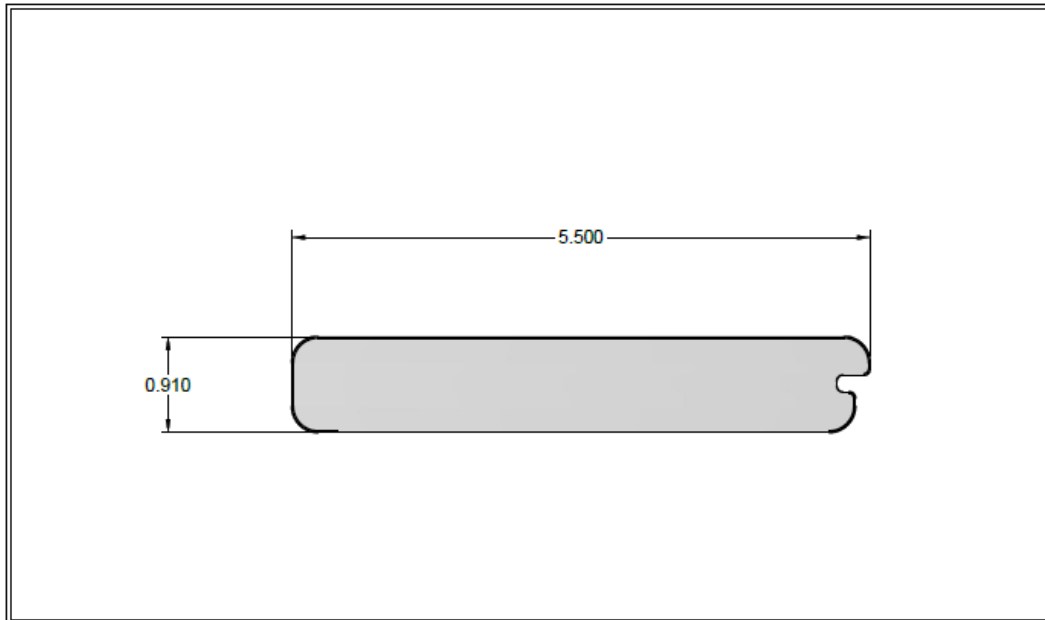


DuraLife Siesta Grooved



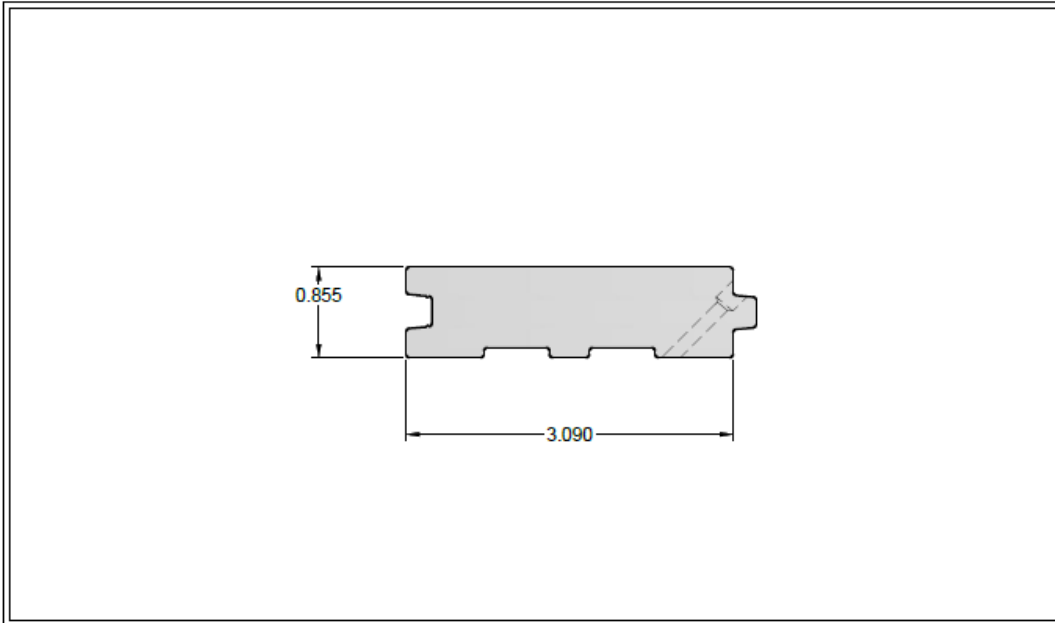
REVISION HISTORY				SPECIAL INSTRUCTIONS:	INTEGRITY COMPOSITES	DRAWING TITLE:		
DATE	DESCRIPTION	REVISED BY	REVISION #	Crown must match the current gauge. Emboss 49-6136 T-3 Woodgrain Top Surface only.		5/4 x 6 Grooved-Siesta		
01/16/2010	UPDATE DWG	ASP	A	DO NOT SCALE DRAWING, REPORT ANY ERRORS. ALL DIMENSIONS IN INCHES UNLESS SPECIFIED.	PCN #:	DATE:		
11/27/2010	REBRAND PRODUCT	LJ	C	CONFIDENTIAL & PROPRIETARY All information contained within this document is property of Integrity Composites, LLC and may not be reproduced in any format: written, verbal, or otherwise, without prior written approval from Integrity Composites, LLC.	SCALE: 1:1	DATE: 03/17/2010	DRAWN BY: LJ	
02/20/12	REBRAND PRODUCT	AJL	D		6 MORRIS STREET BOSTON, MA 04005 (252) 574-0742 www.durallife.com	DWG NUMBER: DWG-002-546CH-Siesta		
					<small>© 2010 Integrity Composites, LLC DWG-002-546CH-Siesta.dwg</small>			

DuraLife Siesta Starter



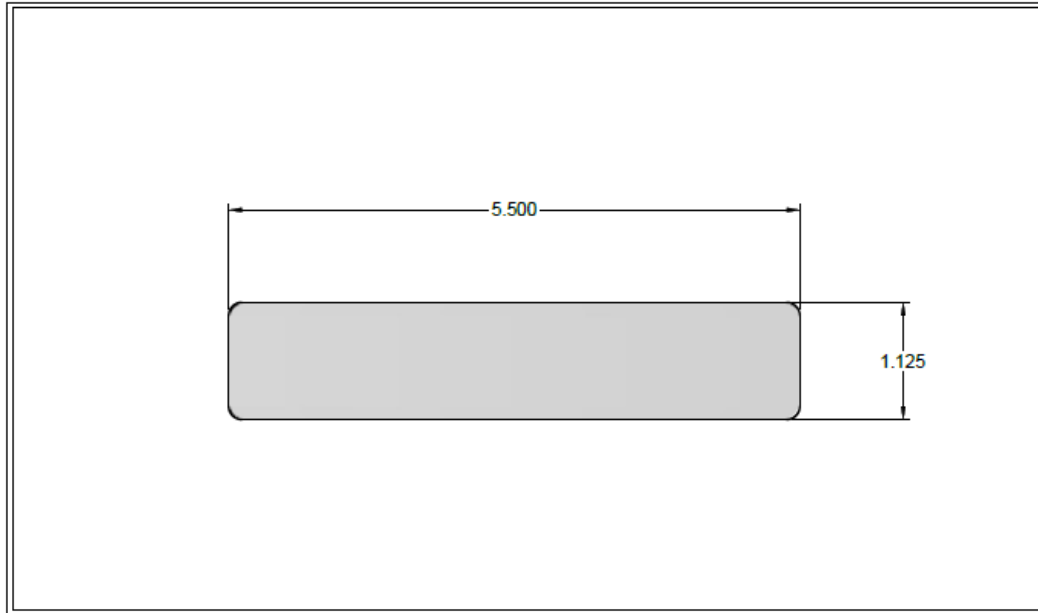
REVISION HISTORY				SPECIAL INSTRUCTIONS:	INTEGRITY COMPOSITES	DRAWING TITLE:		
DATE	DESCRIPTION	REVISED BY	REVISION #	Crown must match the current gauge. Emboss 49-6136 T-3 Woodgrain Top Surface only.		5/4 x 6 Starter-Siesta		
11/27/2010	REBRAND PRODUCT	LJ	A	DO NOT SCALE DRAWING, REPORT ANY ERRORS. ALL DIMENSIONS IN INCHES UNLESS SPECIFIED.	PCN #:	DATE:		
02/20/12	REBRAND PRODUCT	AJL	B	CONFIDENTIAL & PROPRIETARY All information contained within this document is property of Integrity Composites, LLC and may not be reproduced in any format: written, verbal, or otherwise, without prior written approval from Integrity Composites, LLC.	SCALE: 1:1	DATE: 03/17/2010	DRAWN BY: LJ	
					6 MORRIS STREET BOSTON, MA 04005 (252) 574-0742 www.durallife.com	DRAWING NUMBER: DWG-013-546SB-Siesta		
					<small>© 2010 Integrity Composites, LLC DWG-013-546SB-Siesta.dwg</small>			

DuraLife Porch



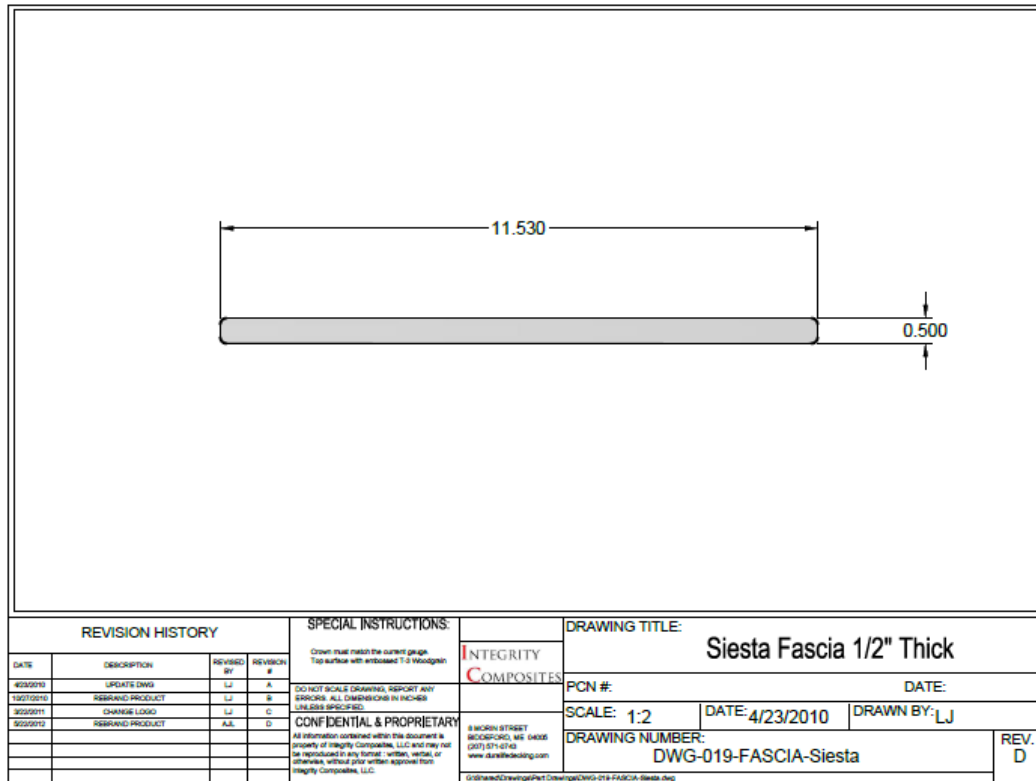
REVISION HISTORY				SPECIAL INSTRUCTIONS:	INTEGRITY COMPOSITES	DRAWING TITLE: T & G Select		
DATE	DESCRIPTION	REVISED BY	REVISION #			PCN #:	DATE:	DRAWN BY:
4/16/2010	UPDATE DWG	LJ	A	DO NOT SCALE DRAWINGS, REPORT ANY ERRORS. ALL DIMENSIONS IN INCHES UNLESS SPECIFIED. CONFIDENTIAL & PROPRIETARY All information contained within this document is property of Integrity Composites, LLC and may not be reproduced in any form: verbal, visual, or otherwise, without prior written approval from Integrity Composites, LLC.	8 MCKIN STRREET BUCKINGHAM, ME 04005 (207) 571-0740 www.duralifebuilding.com <small>© 2010 Integrity Composite Drawing:DWG-014-T&G-S.dwg</small>	SCALE: As Noted	DATE: 4/16/2010	DRAWN BY: LJ
1/27/2010	REBRAND PRODUCT	LJ	B			DRAWING NUMBER: DWG-014-T&G-S	REV. C	
5/22/2012	REBRAND PRODUCT	ALE	C					

DuraLife Stair Tread

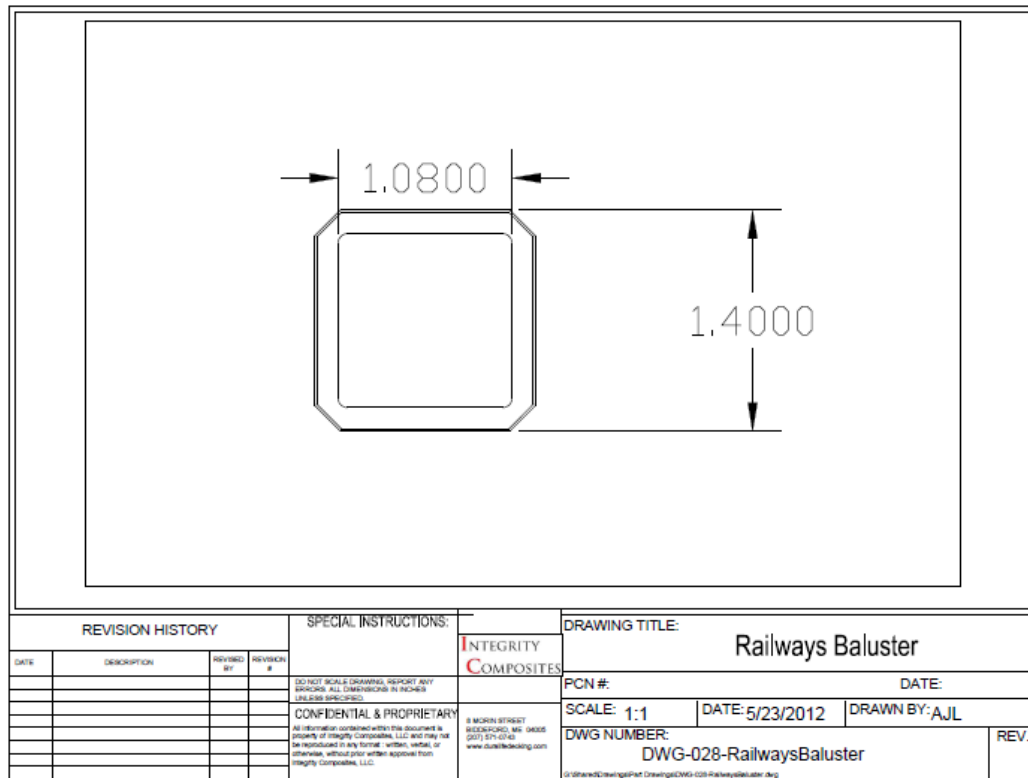


REVISION HISTORY				SPECIAL INSTRUCTIONS:	INTEGRITY COMPOSITES	DRAWING TITLE: Stair Tread		
DATE	DESCRIPTION	REVISED BY	REVISION #			PCN #:	DATE:	DRAWN BY:
				Crown must match the current gauge. Vertical grain entrance. DO NOT SCALE DRAWINGS, REPORT ANY ERRORS. ALL DIMENSIONS IN INCHES UNLESS SPECIFIED. CONFIDENTIAL & PROPRIETARY All information contained within this document is property of Integrity Composites, LLC and may not be reproduced in any form: verbal, visual, or otherwise, without prior written approval from Integrity Composites, LLC.	8 MCKIN STRREET BUCKINGHAM, ME 04005 (207) 571-0740 www.duralifebuilding.com <small>© 2010 Integrity Composite Drawing:DWG-015-StairTread.dwg</small>	SCALE: 1:1	DATE: 4/16/2010	DRAWN BY: LJ
1/27/2010	UPDATE DWG	LJ	A			DRAWING NUMBER: DWG-015-StairTread	REV. B	
5/22/2012	REBRAND PRODUCT	ALE	B					

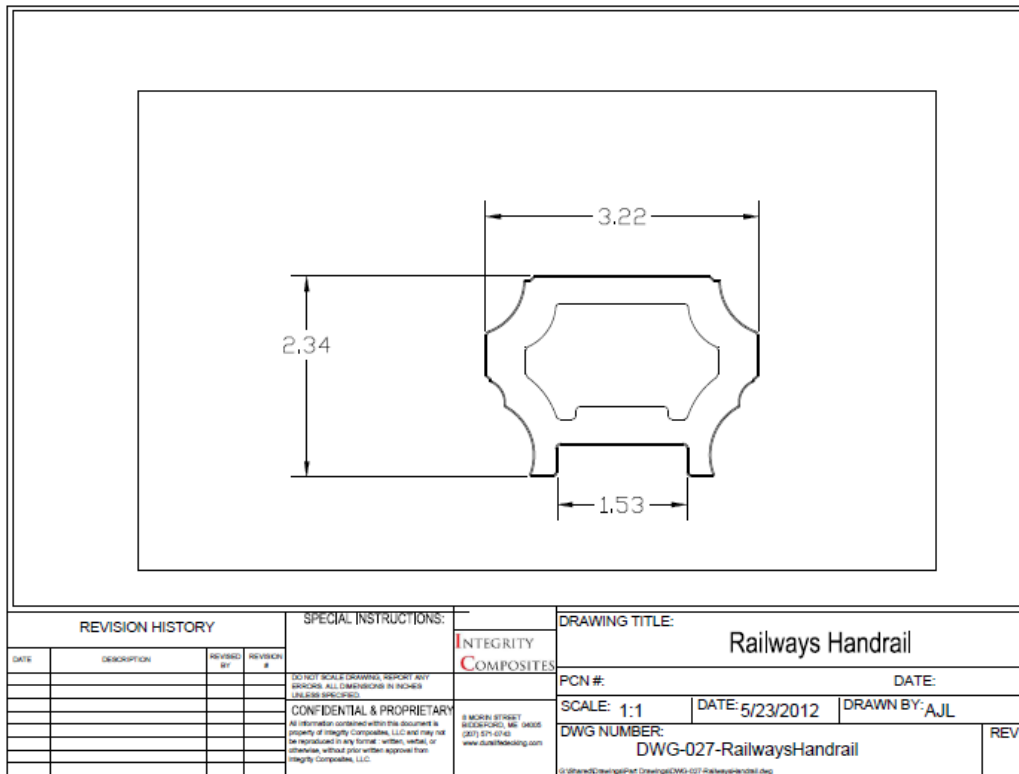
DuraLife Siesta Fascia



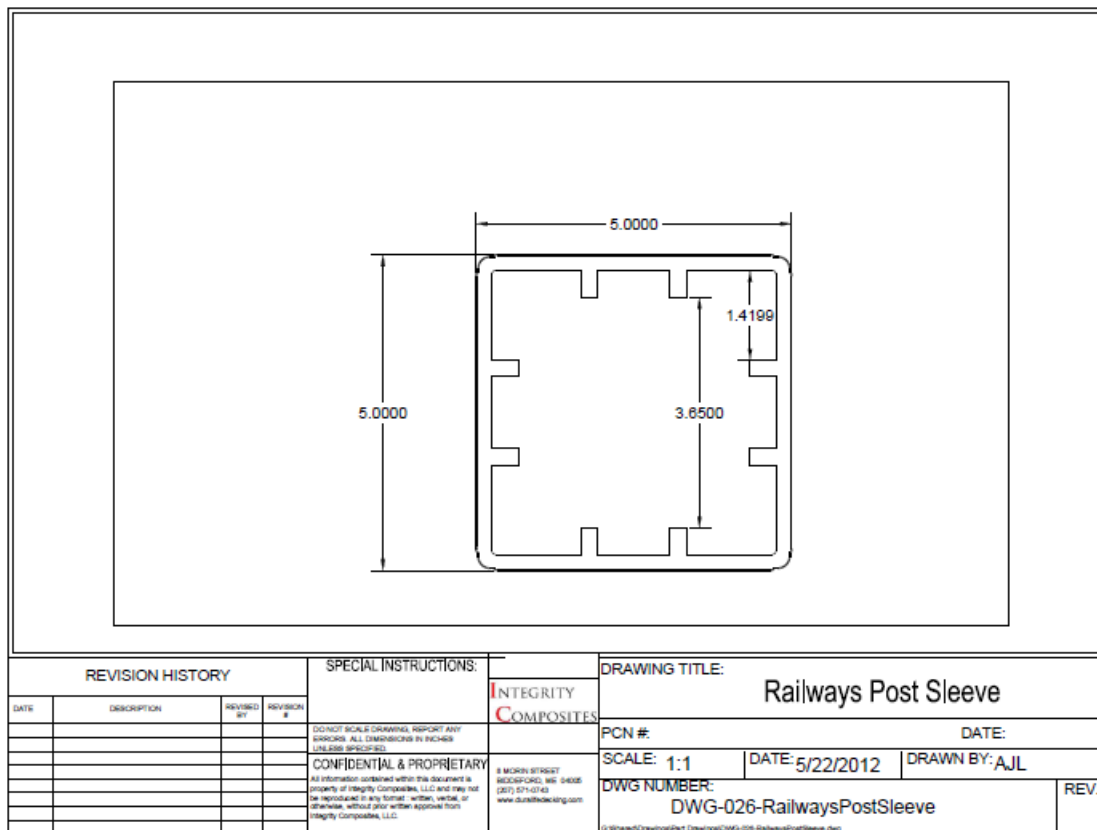
DuraLife Railways Baluster



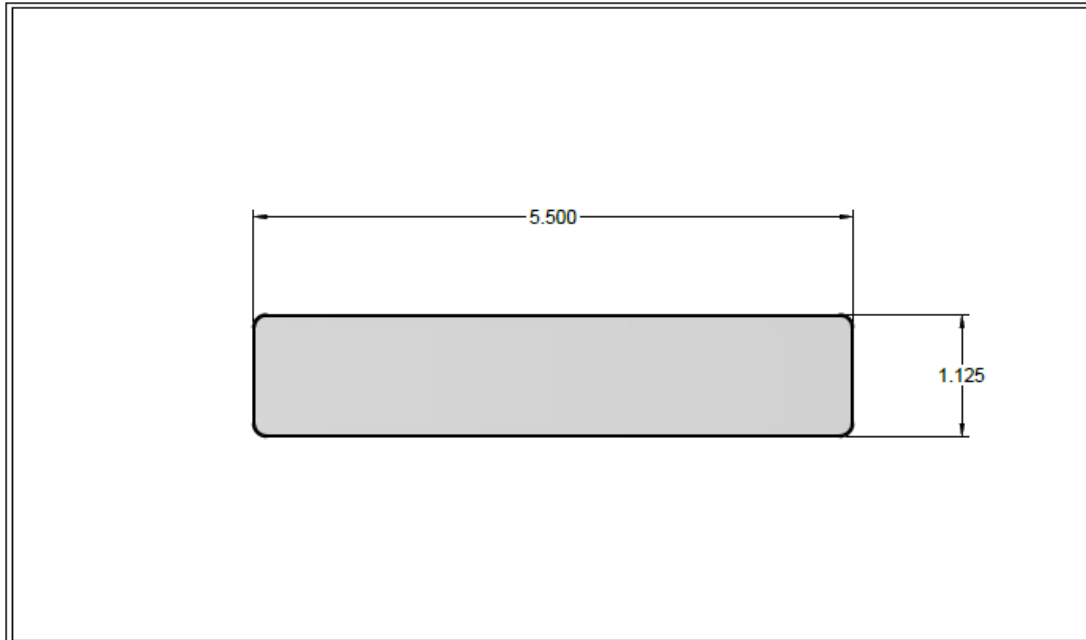
DuraLife Railways Handrail



DuraLife Railways Post Sleeve

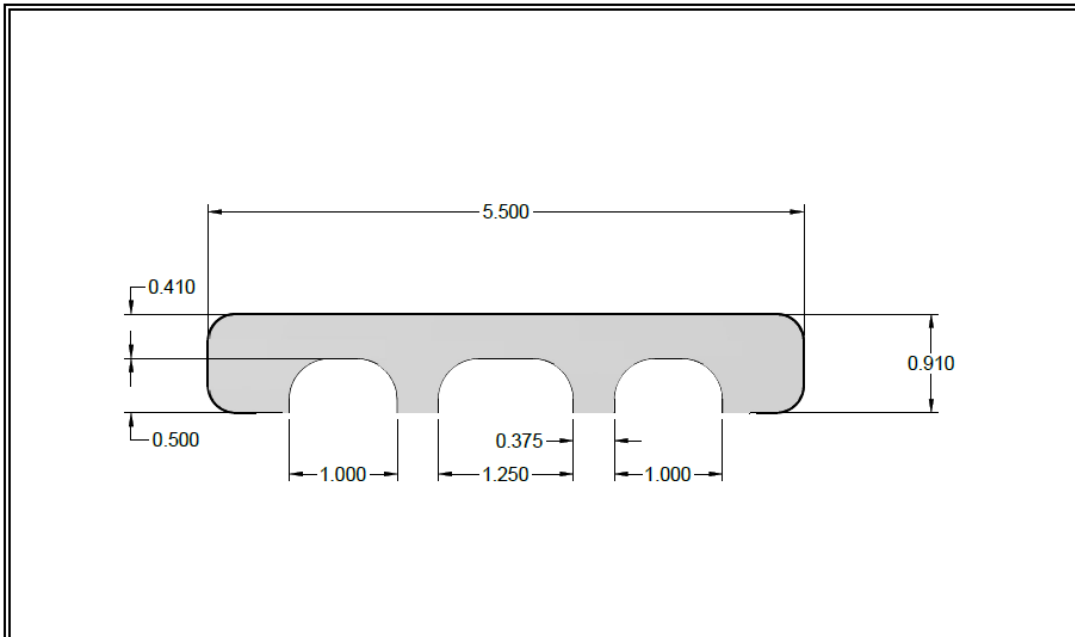


DuraLife Dock



REVISION HISTORY				SPECIAL INSTRUCTIONS:		DRAWING TITLE:	
DATE	DESCRIPTION	REVISED BY	REVISION #	Clown must match the current gauge.	INTEGRITY COMPOSITES	Dock	
3/18/09	Corrected reference file CD OP 1 to CDOP	RWB	A	Emboss #R-6138 T-3 Woodgrain Top Surface only.		PCN #:	DATE:
3/18/09	UPDATE DWG	LJ	B	DO NOT SCALE DRAWING, REPORT ANY ERRORS. ALL DIMENSIONS IN INCHES UNLESS SPECIFIED.	SCALE: 1:1	DATE: 03/18/2010	DRAWN BY: LJ
11/07/09	REBRANDED PRODUCT	LJ	C	CONFIDENTIAL & PROPRIETARY All information contained within this document is property of Integrity Composites, LLC and may not be reproduced in any format - written, verbal, or otherwise, without prior written approval from Integrity Composites, LLC.	8 MORIN STREET BIDDEFORD, ME 04005 (207) 571-0743 www.duralifedocking.com	DRAWING NUMBER: DWG-010-DockBoard	
02/22/12	REBRAND PRODUCT	AJL	D			REV. D	

MVP



REVISION HISTORY				SPECIAL INSTRUCTIONS:		DRAWING TITLE:	
DATE	DESCRIPTION	REVISED BY	REVISION #	Clown must match the current gauge.	INTEGRITY COMPOSITES	5/4 x 6 MVP	
3/18/09	UPDATE DWG	AJP	A	Emboss #R-6138 T-3 Woodgrain Top Surface only.		PCN #:	DATE:
3/18/09	NEW TITLEBLOCK	LJ	B	DO NOT SCALE DRAWING, REPORT ANY ERRORS. ALL DIMENSIONS IN INCHES UNLESS SPECIFIED.	SCALE: 1:1	DATE: 03/17/2010	DRAWN BY: LJ
11/27/09	REBRANDED PRODUCT	LJ	C	CONFIDENTIAL & PROPRIETARY All information contained within this document is property of Integrity Composites, LLC and may not be reproduced in any format - written, verbal, or otherwise, without prior written approval from Integrity Composites, LLC.	8 MORIN STREET BIDDEFORD, ME 04005 (207) 571-0743 www.duralifedocking.com	DRAWING NUMBER: DWG-001-546MVP	
02/22/12	REBRAND PRODUCT	AJL	D			REV. D	