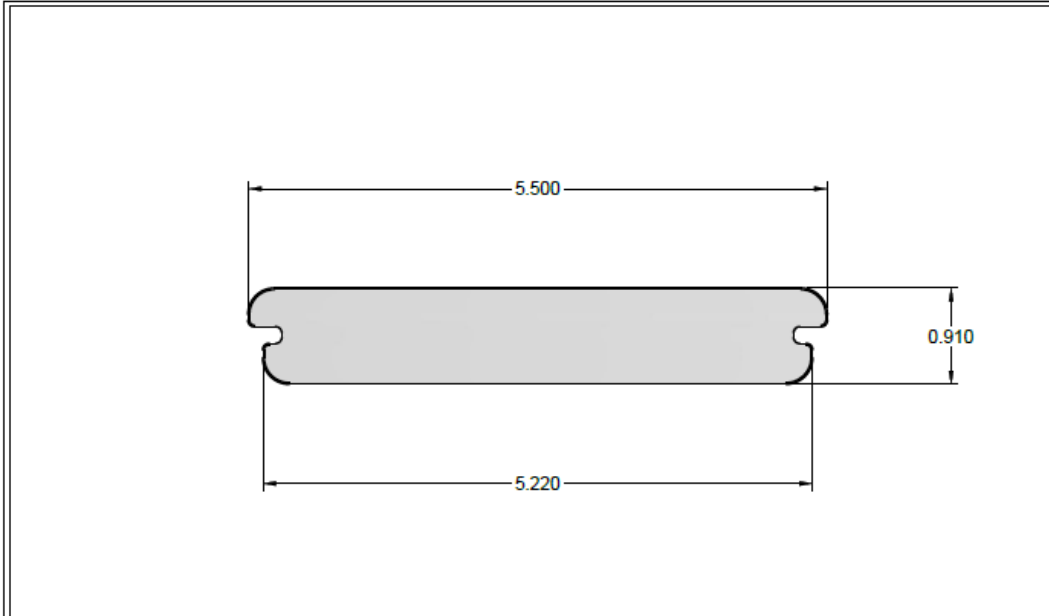
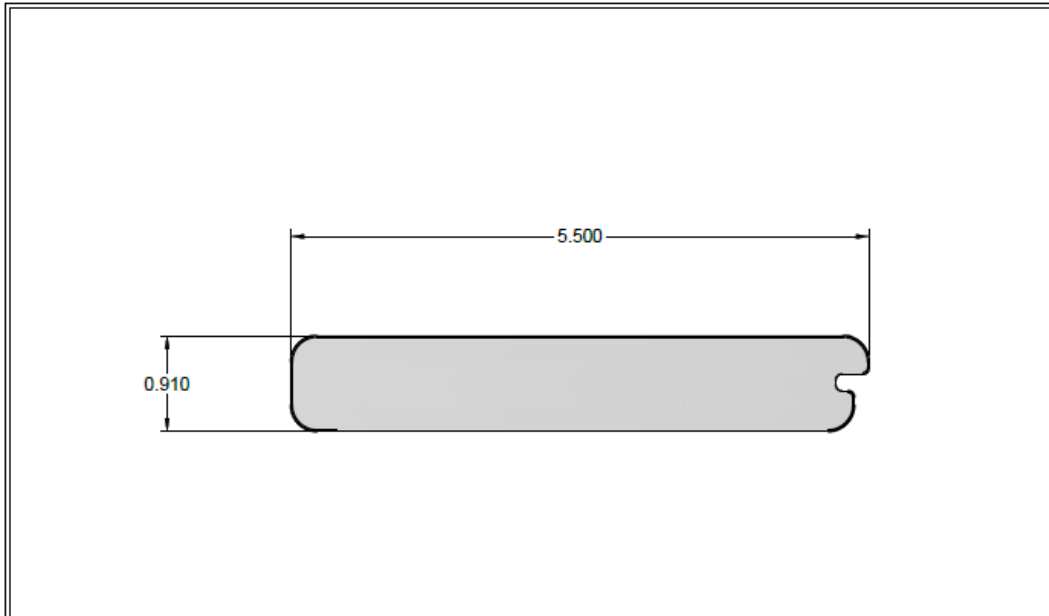


DuraLife Siesta Grooved



REVISION HISTORY				SPECIAL INSTRUCTIONS:	DRAWING TITLE:	
				Drawn must match the current gauge.	INTEGRITY COMPOSITES	
				Enforce #0-0130 T-0 Woodgrain Top Surface only		
DATE	DESCRIPTION	REVISED BY	REVISION #	5/4 x 6 Grooved-Siesta		
01/16/2010	UPDATE DWG	A.L.P	A	PCN #:		
01/17/2010	UPDATE DWG	L.J	B	DATE: 03/17/2010		
10/27/2010	REBRAND PRODUCT	L.J	C	DRAWN BY: L.J		
02/25/12	REBRAND PRODUCT	A.L.	D	SCALE: 1:1		
				DATE: 03/17/2010		
				DRAWN BY: L.J		
				DWG NUMBER:		
				DWG-002-546CH-Siesta		
				REV. D		

DuraLife Siesta Starter



REVISION HISTORY				SPECIAL INSTRUCTIONS:	DRAWING TITLE:	
				Drawn must match the current gauge.	INTEGRITY COMPOSITES	
				Enforce #0-0130 T-0 Woodgrain Top Surface only		
DATE	DESCRIPTION	REVISED BY	REVISION #	5/4 x 6 Starter-Siesta		
10/27/2010	REBRAND PRODUCT	L.J	A	PCN #:		
02/25/12	REBRAND PRODUCT	A.L.	B	DATE: 03/17/2010		
				DRAWN BY: L.J		
				SCALE: 1:1		
				DATE: 03/17/2010		
				DRAWN BY: L.J		
				DWG NUMBER:		
				DWG-013-546SB-Siesta		
				REV. B		